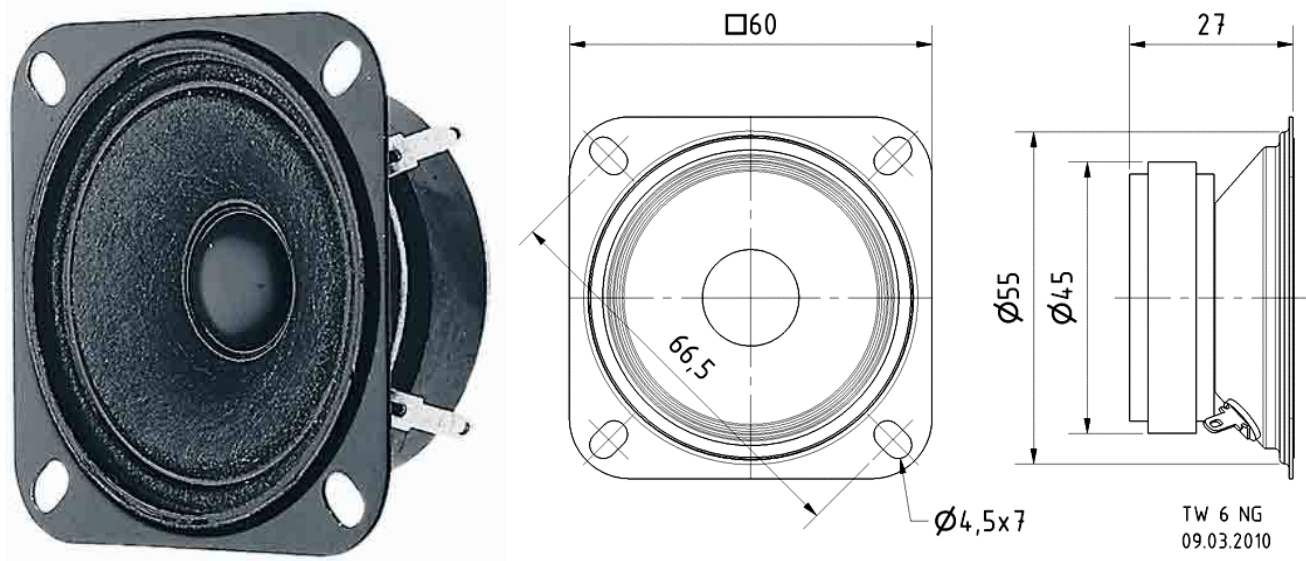


# VISATON TW 6 NG 8 OHM – Cone Tweeter

Art. No. 1000



## TW 6 NG Cone Tweeter

Cone tweeter for the high-frequency range above 5000 Hz. Balanced frequency response with brilliant treble and high power handling. Due to the sealed rear no separate high-frequency range housing construction necessary. Especially suitable as replacement unit for many HiFi speakers.

### Technical Data:

Nominal power handling .....60 W \*\*  
 Peak power handling.....100 W \*\*  
 Nominal impedance Z.....8 Ohm  
 Frequency response .....1000–30000 Hz  
 Mean sound pressure level .....91 dB (1 W/1 m)  
 Opening angle (-6 dB) .....97°/8000 Hz  
 Excursion limit .....+/-0,5 mm  
 Resonance frequency fs .....1500 Hz  
 Magnetic induction .....0,8 T  
 Magnetic flux .....70 µWb

Height of front pole-plate ..... 2,5 mm  
 Voice coil diameter ..... 14 mm  
 Height of winding ..... 2,5 mm  
 Cutout diameter ..... 56 mm  
 Net weight ..... 0,14 kg  
 D.C. resistance Rdc ..... 6,5 Ohm  
 Effective piston area Sd ..... 17 cm<sup>2</sup>  
 Inductance of the voice coil L ..... 0,17 mH  
 Not\*\* With high pass filter 12 dB/Okt @ 5000 Hz

## Visaton TW 6 NG - 8 Ohm

Frequenzgang und Impedanz

